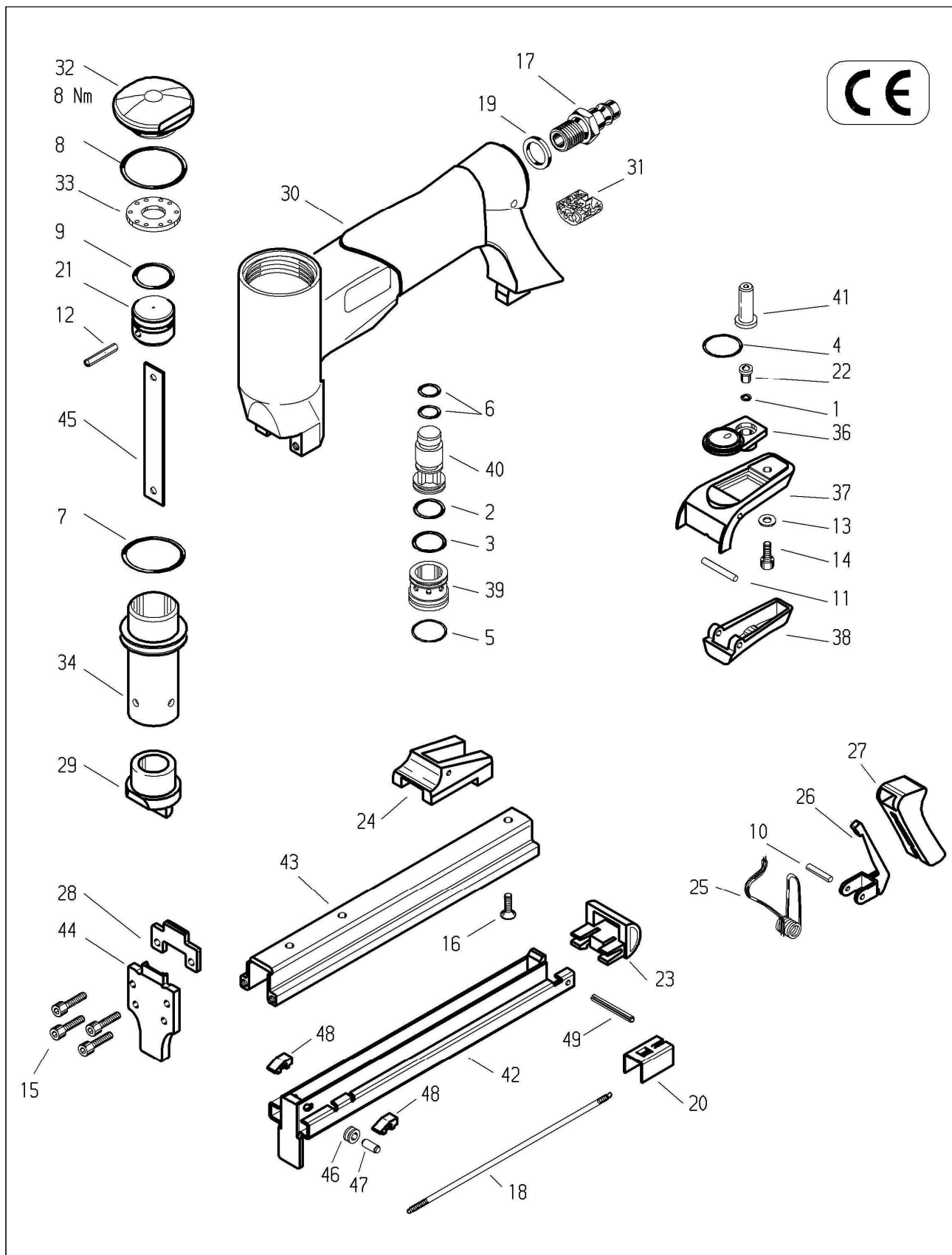


Typ 71/16-421 25MM Nase (Art.-Nr. 12000330)
Type



| | | | | | | | | |
|----|---------------------------|----------|----|----------------------|----------|----|------------------------------|----------|
| 1 | O-Ring | 13300002 | 23 | Abschlußstück | 14405864 | 37 | Ventilabdeckung | 14403934 |
| 2 | O-ring | 13300011 | | End piece | | | Valve cap | |
| 3 | Joint torique | 13300013 | | Pièce queue | | | Capuchon de soupape | |
| 4 | Aro torico | 13302609 | | Pieza final | | | Tapa valvula | |
| 5 | | 13300054 | | | | | | |
| 6 | | 13300073 | 24 | Abdeckung | 14405767 | 38 | Auslöser | 14403935 |
| 7 | | 13300081 | | Cover | | | Trigger | |
| 8 | | 13300083 | | Cache | | | Levier de détente | |
| 9 | | 13300158 | | Tapa | | | Gatillo de disparo | |
| 10 | Sperrklinkenachse | 14405330 | 25 | Schenkelfeder | 14403913 | 39 | Ventilzylinder | 14403936 |
| | Pin | | | Leg spring | | | Valve cylinder | |
| | Axe | | | R ressort à branches | | | Cylindre de soupape | |
| | Pasador | | | Muelle en pata | | | Valvula cilindro | |
| 11 | Lagernadel | 13300182 | 26 | Sperrklinke | 14403915 | 40 | Ventilschaft | 14403937 |
| 12 | Pin | 13300186 | | Locking pawl | | | Valve shaft | |
| | Axe | | | Cliquet | | | Corps de la soupape | |
| | Eje | | | Trinquete de cierre | | | Vastago valvula | |
| 13 | Scheibe | 13300479 | 27 | Klinkenabdeckung | 14403916 | 41 | Zwischenhülse | 14403938 |
| | Disc | | | Cover | | | Cylinder, intermediate valve | |
| | Rondelle | | | Cache | | | Arbre intermédiaire | |
| | Arandela | | | Tapa | | | Valvula intermedio cilindro | |
| 14 | Zylinderschraube | 13301103 | 28 | Werkzeug Teil 2 | 14403920 | 42 | Unterschieber | 14405225 |
| 15 | Allen bolt | 13302683 | | Back nose | | | Back nose assembly | |
| | Vis cylindrique | | | Plaque arrière | | | Chargeur | |
| | Tornillo allen | | | Placa guia posterior | | | Guia | |
| 16 | Senkschraube | 13302684 | 29 | Puffer | 14403923 | 43 | Abdeckschiene | 14403947 |
| | Countersunk bolt | | | Bumper | | | Cover | |
| | Vis creuse fraisée | | | Amortisseur | | | Rail de couverture | |
| | Tornillo avellanado | | | Amortiguador | | | Tapa cargador | |
| 17 | Anschlußsnippel | 14000244 | 30 | Gehäuse | 14404862 | 44 | Werkzeug Teil 1 | 14405945 |
| | Air hose connector | | | Body | | | Front nose | |
| | Embout de raccordement | | | Corps | | | Plaque frontale | |
| | Conector de aire manguera | | | Cuerpo | | | Placa guia delantera | |
| 18 | Zugfeder | 14405402 | 31 | Schalldämpfer | 14403927 | 45 | Treiber | 14405227 |
| | Tension spring | | | Silencer | | | Driver blade | |
| | R ressort de traction | | | Amortisseur de bruit | | | Marteau | |
| | Muelle de traccion | | | Silenciador | | | Lengueta | |
| 19 | Dichtscheibe | 14400063 | 32 | Kappe | 14405223 | 46 | Rolle | 14403972 |
| | Gasket | | | Cap | | | Rulley | |
| | Douille | | | Capuchon | | | Rouleau | |
| | Junta obturadora | | | Cabeza | | | Rodillo | |
| 20 | Schubkasten | 14403778 | 33 | Dämpfer | 14403930 | 47 | Achse | 14404019 |
| | Feeder bar | | | Damper | | | Pin | |
| | Chariot | | | Amortisseur | | | Axe | |
| | Barra cargador | | | Regulador | | | Eje | |
| 21 | Kolben | 14403712 | 34 | Zylinder | 14405224 | 48 | Anschlag | 14405768 |
| | Piston | | | Cylinder | | | Stop | |
| | Piston | | | Cylindre | | | Butoir | |
| | Piston | | | Cilindro | | | Tope | |
| 22 | Schaltstift | 14403738 | 36 | Ventildichtung | 14403933 | 49 | Spannhülse | 13301787 |
| | Valve pin | | | Valve gasket | | | Split pin | |
| | Bouton de commande | | | Joint de soupape | | | Douille fendue | |
| | Pasador valvula | | | Junta de valvula | | | Pasador elastico | |